



MT024T01

One-Piece Toilet



FEATURES :

- Floor Discharge One-Piece Toilet
- Comfort Height (16 ⁹/₁₆")
- Siphonic Jet Flush
- Cozy Elongated Toilet Bowl
- Left-Handed Flush Lever

SPECIFICATIONS :

- **N.W:** 100.2 LB
- **Dimension:** 27 ³/₁₆"L * 29 ¹/₂"H * 14 ¹/₈"W
- **Trap Type:** S-trap
- **Flush Type:** Siphonic Flush
- **Flush Rate:** 1.2GPF
- **Waste Outlet:** Floor
- **Seat Shape:** Elongated
- **Installation Type:** Floor Mounted
- **Quality Assurance:** 2-Year Warranty

	Toilet	Toilet Seat	Extension Pipes
Material	Ceramic	Polypropylene	Polypropylene
Color	White	White	White
Weight	94.8 LB	3.1 LB	2.3 LB



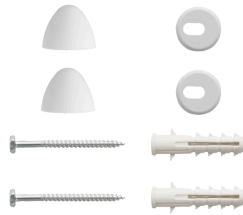
**MACERATING
FLO**

Innovation For A Better Flow

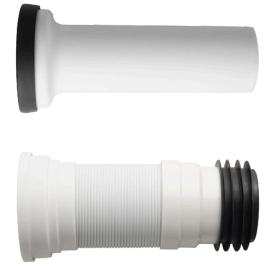
PACKAGE INCLUDED :



One-piece Toilet
(Water Fittings Pre-installed)



Floor Mounting Kit



Extension Pipes



Lever



Adapter



Toilet Seat



Seat Mounting Kit

(+1) 929-274-1391

MaceratingFlo reserves the right to make revisions without notice to product specifications and dimensions. Product dimensions may differ due to manufacturing variations. Responsibility for using outdated or canceled specifications is not assumed. For the most current Specification Sheet, go to www.maceratingflo.com.



**MACERATING
FLO**

Innovation For A Better Flow

CODES/STANDARDS APPLICABLE :



ADA
Compliant



WaterSense
Certified



C
Uniform Plumbing
Code Certified



MAP Premium
Certified



HIGH EFFICIENCY TOILET
HET
Toilet

DIMENSIONAL DIAGRAM :



(+1) 929-274-1391

MaceratingFlo reserves the right to make revisions without notice to product specifications and dimensions. Product dimensions may differ due to manufacturing variations. Responsibility for using outdated or canceled specifications is not assumed. For the most current Specification Sheet, go to www.maceratingflo.com.

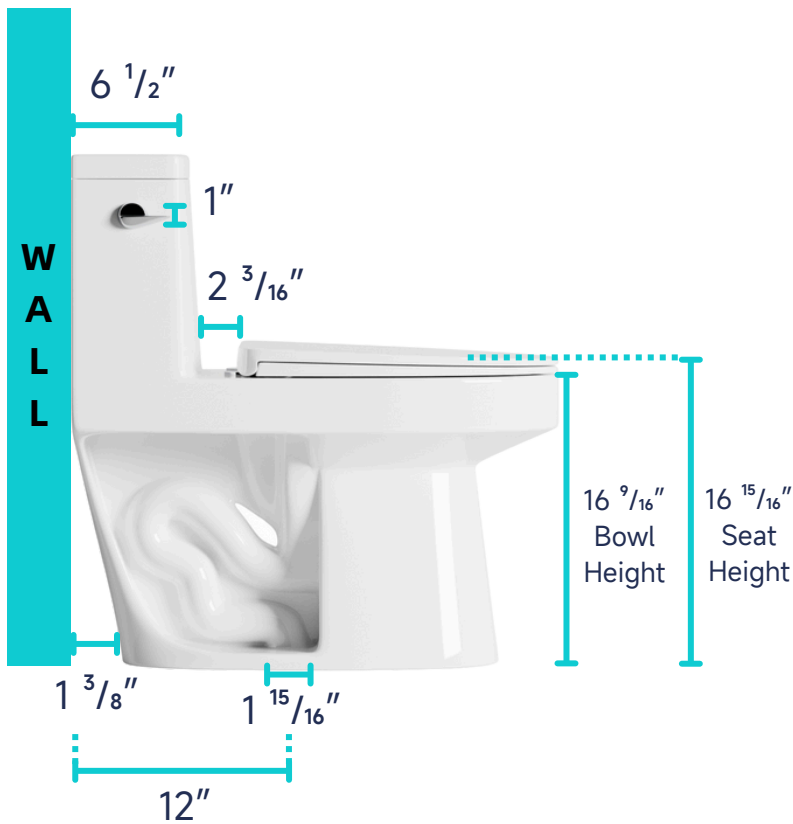
Revised on 03/15



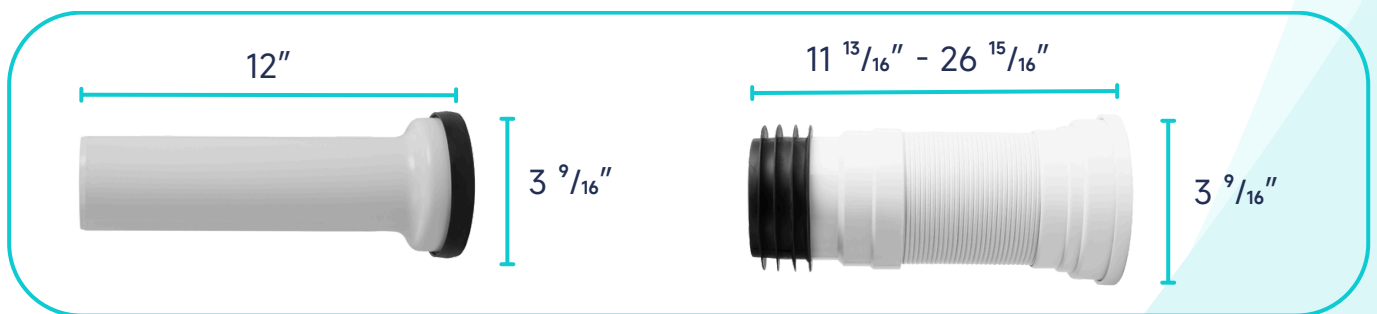
**MACERATING
FLO**

Innovation For A Better Flow

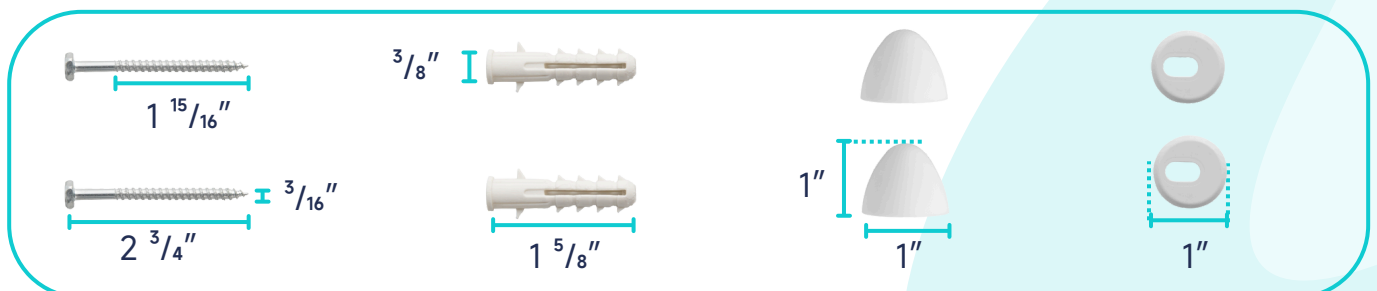
DIMENSIONAL DIAGRAM :



EXTENSION PIPES:



FLOOR MOUNTING KIT:



(+1) 929-274-1391

MaceratingFlo reserves the right to make revisions without notice to product specifications and dimensions. Product dimensions may differ due to manufacturing variations. Responsibility for using outdated or canceled specifications is not assumed. For the most current Specification Sheet, go to www.maceratingflo.com.

Revised on 03/15

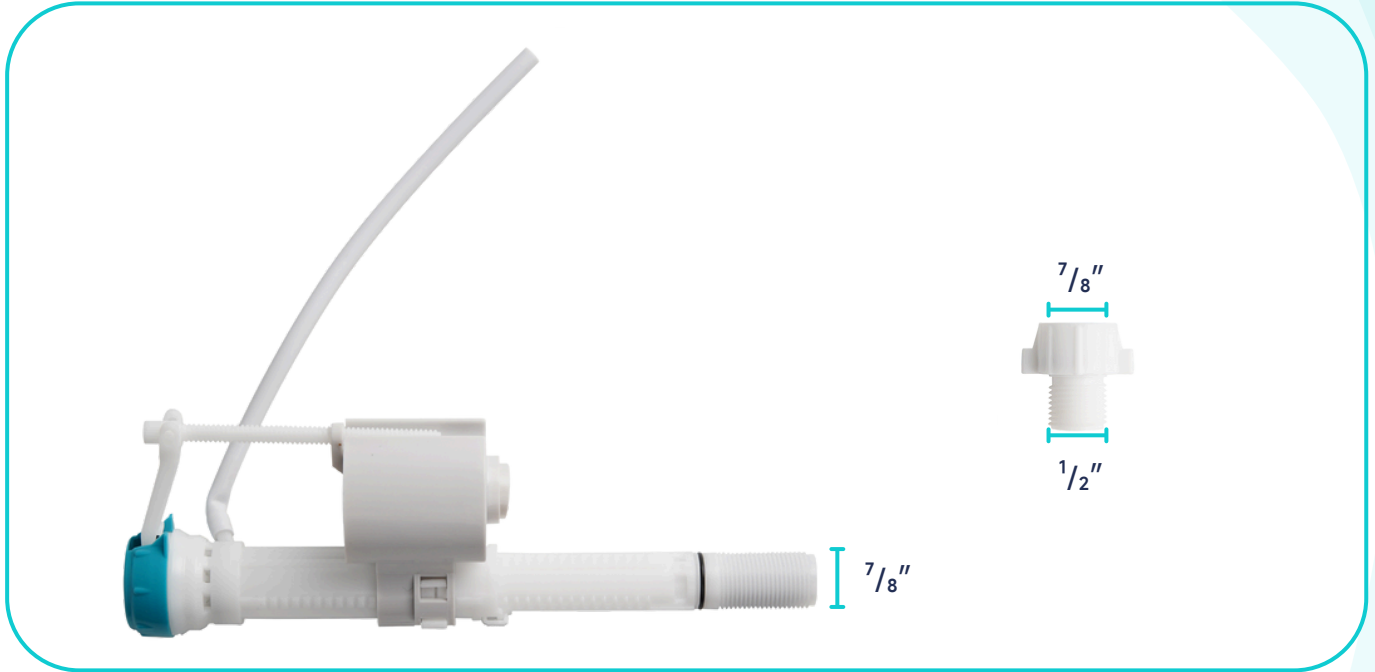


**MACERATING
FLO**

Innovation For A Better Flow

DIMENSIONAL DIAGRAM :

WATER TANK CONNECTION KIT:



(+1) 929-274-1391

MaceratingFlo reserves the right to make revisions without notice to product specifications and dimensions. Product dimensions may differ due to manufacturing variations. Responsibility for using outdated or canceled specifications is not assumed. For the most current Specification Sheet, go to www.maceratingflo.com.